



● **DB380**
Standard Antenna-to-Pipe
Mounting Kit

● **DB5083**
Standard Downtilt Mounting Kit

Antenna Mounts

For Vertical & Horizontal Mounts



GENERAL MOUNTS

Hardware & Accessories

DB365-OS Mounting Clamp Kits:

DB365-OS Mounting Clamp Kit includes two clamps that mount antennas to round members from 1.25" (31.8 mm) to 3.5" (89 mm) O.D. or angle members to 3" (76 mm).

Net weight – lbs. (kg) 7 (3.18)
Shipping weight – lbs. (kg) 8 (3.63)

For Oversize Mounting Order:

FITS MEMBERS UP TO:

	Round	Angle (90°)	Angle (60°)	Net Wt.	Shipping Wt.
DB365-SP5	5" (127 mm)	3.54" (89.9 mm)	4.33" (109.9 mm)	14 lbs. (6.36 kg)	15 lbs. (6.8 kg)
DB365-SP7	7" (177.8 mm)	4.95" (125.7 mm)	6.06" (153.9 mm)	16 lbs. (7.27 kg)	16 lbs. (7.27 kg)
DB365-SP9	9" (228.6 mm)	6.36" (161.54 mm)	7.79" (197.8 mm)	17 lbs. (7.73 kg)	18 lbs. (8.18 kg)

DB365W Mounting Clamps:

For mounting antennas to a wood pole or masonry wall up to 14" (355.6 mm) thickness (5/8" [15.88 mm] diameter hole required.) Clamp jaws fit round member from 1.25" (31.8 mm) to 2.75" (69.85 mm) O.D. galvanized steel. Two clamps supplied.

Net weight – lbs. (kg) 10 (2.20)
Shipping weight – lbs. (kg) 12 (5.45)

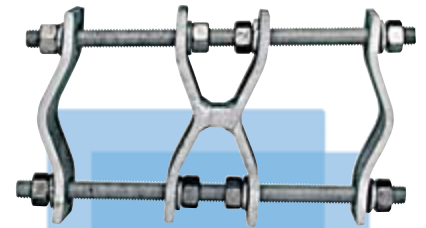
V-Bolt Mounting Kits:

V-Bolt Mounting Clamp Kits include stainless steel V-bolts, nuts and washers, and galvanized steel back straps. Set of two.

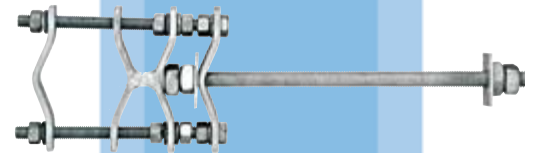
FITS MEMBERS UP TO:

	Round	Angle (90°)	Angle (60°)	Net Wt.	Shipping Wt.
11653	3" (76.2 mm)	2.00" (50.8 mm)	2.60" (66.0 mm)	2 lbs. (0.91 kg)	3 lbs. (1.36 kg)
11653-4-IN	4" (101.6 mm)	2.80" (71.1 mm)	3.46" (87.8 mm)	2 lbs. (0.91 kg)	3 lbs. (1.36 kg)
11653-5-IN	5" (127.0 mm)	3.50" (88.9 mm)	4.33" (109.9 mm)	3 lbs. (1.36 kg)	4 lbs. (1.82 kg)
11653-6-IN	6" (154.4 mm)	4.24" (107.7 mm)	5.20" (132.0 mm)	4 lbs. (1.82 kg)	5 lbs. (2.27 kg)
11653-7-IN	7" (177.8 mm)	4.95" (125.7 mm)	6.06" (153.9 mm)	4 lbs. (1.82 kg)	5 lbs. (2.27 kg)
11653-8-IN	8" (203.2 mm)	5.50" (139.7 mm)	6.93" (176.0 mm)	5 lbs. (2.27 kg)	6 lbs. (2.73 kg)
11653-9-IN	9" (228.6 mm)	6.36" (161.5 mm)	7.79" (197.8 mm)	5 lbs. (2.27 kg)	6 lbs. (2.73 kg)

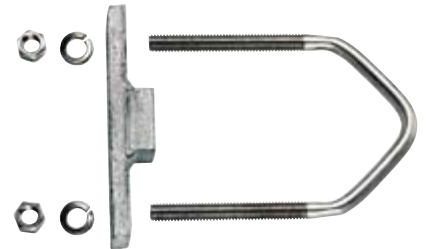
Note: Half sizes available.



DB365-OS



DB365W



11653

DB375



DB366 Mounting Clamp Kit:

DB366 Mounting Clamp Kit is the same as DB365-OS except three clamps are included.

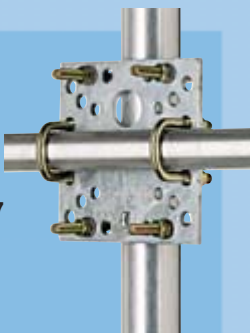
Net weight – lbs. (kg) 10.5 (4.77)
Shipping weight – lbs. (kg) 12.0 (5.45)

DB370 Mounting Clamp Kit:

This is the same as DB365-OS except center straps are not welded. Includes four straps per clamp for spacing adjustment; galvanized steel, set of two.

Net weight – lbs. (kg) 7 (3.18)
Shipping weight – lbs. (kg) 8 (3.63)

ASP617



DB375 Mounting Clamps:

Used to mount horizontal members to vertical members – round from 1.25" (31.8 mm) to 3" (76.2 mm) each piece. Set of two.

ASP617 Universal Crossover Clamp:

Plate is 0.25" (6.4 mm) galvanized steel. U-bolts are supplied to secure any combination of two intersecting pipes from 1 to 2.875" (25.4 to 73 mm) O.D. Accommodates up to 2.5" (63.5 mm) angle iron or 4" (101.6 mm) O.D. tower legs with up to a 2.875" (73 mm) O.D. intersecting cross pipe. ASP617 can be combined with ASPA320 mounting clamp to accommodate antennas with vertical parallel mounting members. Shipping weight 6 lb. (2.7 kg).



ASPA320

ASPA320 Mounting Clamp:

Mounting clamp for securing antenna to wooden pole, tower leg or mast from 1" (27 mm) up to 2.75" (70 mm) diameter. Special feature allows jaws to be rotated 90 degrees to clamp onto horizontal mounting bars. Clamps are gold iridite aluminum alloy. Shipping weight 3 lb. (1.7 kg).

ASPR616



ASPR616 Clamp Set:

Consists of two clamps for mounting base station antennas to tower or mast. Will mount on structure from 1 to 2.875" (25.4 to 73 mm) diameter. All parts are galvanized. Shipping weight 6 lb. (2.7 kg).

Base Station Antenna Side Mounting Kits:

Heavy duty side mount kits include all brackets, clamps and hardware to mount antenna to tower leg. The main support pieces are fabricated of galvanized steel, and the stainless steel V-bolts (supplied) fit round tower members 1.25" to 3" (31.8 to 76.2 mm) O.D., angular members to 2" (50.8 mm) 90° or 2.6" (66.04 mm) 60°.

DB5001 Side Mounting Kit:

For DB222, DB224, and DB264. Includes top sway brace. Use DB5001 for 3" (76.2 mm) tower members, DB5001-SP5 for 5" (127 mm) tower members, and DB5001-SP7 for 7" (178 mm) tower members.

Net weight – lbs. (kg) 21 (9.5)
Shipping weight – lbs. (kg) 23 (10.45)

DB5004 Adjustable Side Mounting Kit:

For DB809, DB810, and DB812 antennas. Use to mount all metal mast antennas 2' (0.61 m) to 8' (2.44 m) away from side of tower measuring 2' (0.61 m) to 8' (2.44 m) across the face. Two 10' sections of pipe and six clamp assemblies included. Clamp assemblies are for 3" (76.2 mm) tower member. Use DB5004-5 for 5" (127 mm) tower members.

Net weight – lbs. (kg) 123 (55.9)
Shipping weight – lbs. (kg) 130 (59.1)

DB5004-3 Three Pipe Side Mounting Kit:

Same as the DB5004 except that it mounts three pipes across the face of the tower. Includes nine clamp assemblies. Use DB5004-3-3 clamp assemblies for 3" (76.2 mm) tower members and DB5004-3-5 for 5" (127 mm) tower members.

	DB5004-3-3	DB5004-3-5
Net weight – lbs. (kg)	185 (84)	191 (87)
Shipping weight – lbs. (kg)	195 (89)	206 (94)

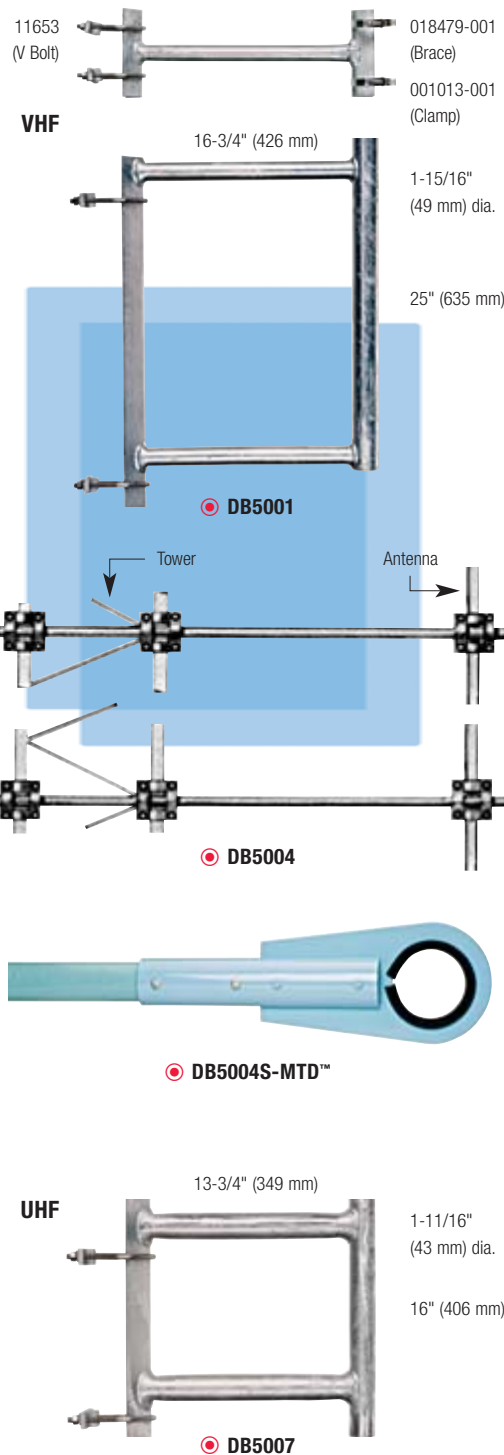
DB5004S-MTD™ Fiberglass Outrigger Assembly:

Can be used on any large side-mounted MTD™ fiberglass radome to limit tip deflection in high winds, including DB616, DB638, DB809, DB810 and DB812. Opening is 3.75" (95 mm). The outrigger is 123" (3.1 m) in length x 3" (76.2 mm) in diameter. Brace the outrigger to the tower legs via one set of DB375 clamps. A plastic end, fitted with neoprene lining, slips over the top of the antenna and sits about midpoint on the radome.

DB5007 Side Mounting Kit:

For DB404, DB580, DB803 and DB806. Bottom brace only, for 3" (76.2 mm) tower member.

Net weight – lbs. (kg) 11 (5.00)
Shipping weight – lbs. (kg) 13 (5.91)





S 018479-002

DB5012

DB5009 Side-By-Side Mounting Kit:

For DB436, DB437 and DB438 dual array antennas.

Net weight – lbs. (kg) 11 (5.00)
Shipping weight – lbs. (kg) 13 (5.91)

DB5012 Side Mounting Kit:

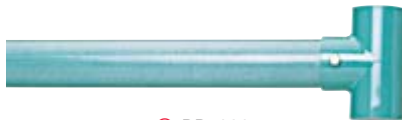
For DB408, DB411, DB413, DB420. Same as DB5007 but Includes top sway brace.

Net weight – lbs. (kg) 19 (8.63)
Shipping weight – lbs. (kg) 21 (9.54)

DB5018 Side-By-Side Mounting Kit:

For DB436, DB437, and DB438 quad Yagi antennas .

Net weight – lbs. (kg) 22 (10.00)
Shipping weight – lbs. (kg) 24 (10.91)



DB5030

DB5030 Fiberglass Outrigger Assembly:

Designed to limit tip deflection in high winds, the DB5030 can be used on any side-mounted antenna with a small tapered Aeroglas® radome. The opening is 1.875" (47 mm). The outrigger is 123" (3.1 m) long and attaches to the tower legs via one set of DB375 galvanized clamps. A plastic end fitting with neoprene tape lining slips over the top of the antenna and sits about midpoint on the radome.

DB5087

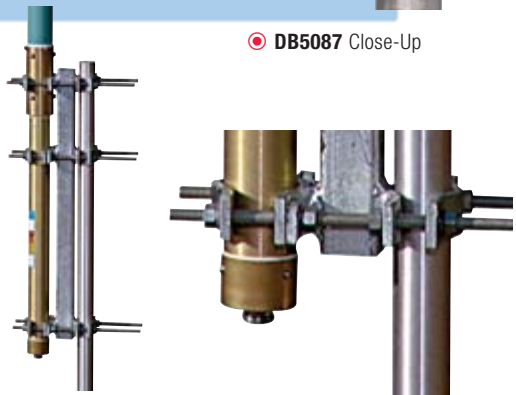


DB5087 Close-Up

DB5087 No-Torsion Mount:

This strong, durable mount replaces the DB366 for mounting dual and triple MTD™ antennas to round tower members. Aeroglas® antennas with screens use the extra strong DB5087S Mounts. For reinforcement DB5087 has a 23" (584 mm) long galvanized steel 3" (76.2 mm) tube that is offered in two sizes: For mounting to 3" (76.2 mm) tower members (DB5087-3) or for mounting to 4" (101.6 mm) tower members (DB5087-4).

DB5091



DB5091 Close-Up

DB5091 No-Torsion Mount:

The DB5091 utilizes three clamps on a galvanized steel tube to mount DB810 and DB812 antennas to round tower members. Specify -3 for 3" pipe, -4 for 4" pipe mounting.

Note: An extra metal bar is provided with the DB5091 for the bottom and middle clamps to assure good vertical alignment of the antenna.

Dipole Stabilizer Kits for Aluminum Antennas:

Designed to stabilize folded dipole elements in severe environments with high winds and ice loading. Order 12088 for DB222, DB224, DB228, and DB264 antennas. See antenna catalog pages for the number of braces needed.

Antenna Mounts

For Omni-Directional Antennas



SIDE MOUNTS & ACCESSORIES

Hardware & Accessories

ASP989 Downtilt Brackets:

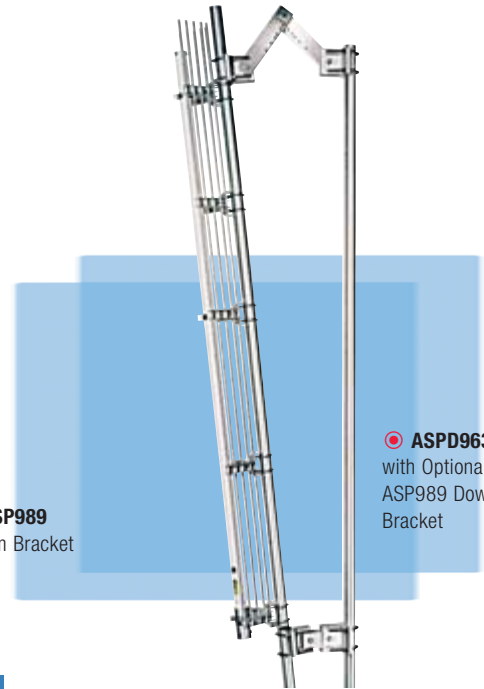
- **Versatile** — Allows maximum signal to be directed downward for null-fill or elimination of interference at the horizon.
- **Field Adjustable** — From 0° to -10° in 0.5° increments (ASP989). Mounts on tower legs 2.375" (60.33 mm) to 4.5" (114.3 mm) O.D.
- **Universal** — Can be used with any directional antenna that can be mounted on a tubular mast measuring 2.375" (60.33 mm) to 4.5" (114.3 mm) O.D.
- **Rugged** — High strength aluminum scissors clamp and stainless steel hardware.



• ASP989
Top Bracket



• ASP989
Bottom Bracket



• ASP963
with Optional
ASP989 Downtilt
Bracket

MECHANICAL DATA

	ASP989
Clamp Spacing	136" (3.5 m)
Mounting Length	6" (0.152 m) per clamp (2 clamps)
Material	6061-T6 grade aluminum
Net Weight	50 lbs (22.7 kg)
Rated Wind Velocity (RS-329)	168 mph (271 km/h)

ASPR613 Side Mounting Kit:

Optional dual support side mount designed for mounting antennas up to 36" (91.4 mm) away from the tower (based on 18" [457.2 mm] faces) using ASP617 clamps. May be mounted on any square or triangular tower with tubular legs up to 4" (101.6 mm) in diameter or 2.5" (63.5 mm) angle iron and face dimensions from 6" (152.4 mm) to 25" (635 mm).

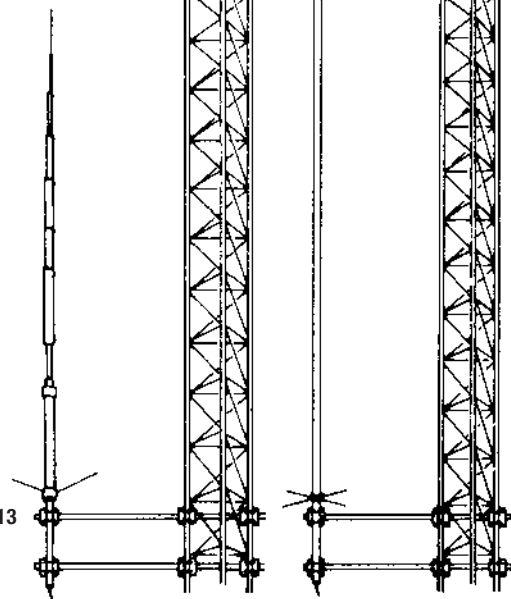
Not recommended for use with ASP685 or ASP705K models in high wind areas. Order ASPR614 or ASPR615.

ASPR614 Side Mounting Kit:

Optional side mount similar to ASPR613, with a fiberglass insulated upper support arm. Used for mounting antennas from 18" (457.2 mm) to 7' (2,133 mm) away from the tower (based on 18" [457.2 mm] faces).

ASPR615 Side Mounting Kit:

Optional side mount, same as ASPR614, used for mounting antennas from 18" (457.2 mm) to 36" (914.4 mm) away from the tower (based on 18" [457.2 mm] faces).



• ASPR613

• ASPR614

• ASPR615

DB380 Pipe Mounting Kit:

Four versions of this Antenna-to-Pipe Mounting Kit are available: DB380 for 1.25" to 3.5" (31.8 to 88.9 mm) O.D. pipe, DB380-4 for 1.25" to 4" (31.8 to 101.6 mm) O.D. pipe, DB380-8 for 3" to 8" (76.2 to 203.2 mm) O.D. pipe.

600899A-2 Downtilt Mounting Kit:

Adjustable tilt mounting kit available for UMWD 33°/45°, CTSDG, CTSG, and ADFD series antennas. Designed to fit 1.3" (33mm) to 4.5" (114mm) O.D. pipe.

DB382NS Pipe Mounting Kit:

Offset mount provides offset positioning for enhanced cable clearance with back-mounted connectors.

DB5083 Downtilt Mounting Kit:

The DB5083 kit includes a heavy-duty, galvanized steel downtilt mounting bracket assembly and associated hardware. This kit attaches to the DB380 pipe mount and provides downtilt mounting for panel antennas which are equipped with two mounting brackets.

DB5083D Downtilt Mounting Kit:

The DB5083D kit consists of two DB5083 heavy-duty, galvanized steel downtilt mounting bracket assemblies and associated hardware. The downtilt assemblies attach to the DB380-3 pipe mount and provide downtilt mounting for large panel antennas which are equipped with three mounting brackets.

D000-0002-0000 Downtilt Mounting Kit:

Downtilt mounting kit is suitable for mounting D100/D200 series antennas onto a 1.8" (48mm) to 6.1" (155mm) O.D. pipe.



● **D000-0002-0000**
Downtilt
Mounting Kit

● **600899A-2**
Downtilt
Mounting Kit



● **DB380**
Antenna-to-Pipe
Mounting Kit



● **DB382NS**
Offset
Mounting Kit



● **DB5083**
Downtilt
Mounting Kit



● **DB5083D**
Downtilt
Mounting Kit

Antenna Mounts

800/900 MHz, or >10"(254 mm) In Width

FOR DIRECTIONAL ANTENNAS



Hardware & Accessories

DB5083-NLT Tilt Bracket:

Optional downtilt bracket providing direct tilt adjustments for up to 15° in 1° increment. Features a locking pin that assures tilt angle lock down. For antennas with 3 point mounts, order DB5083D-NLT.

DB5084-AZ Variable Azimuth Wall Mount:

Optional brackets for wall mounting provide azimuth rotation from +45° to -45°, minimizing required clearance from the wall.

800TREEKIT dB TripleTree™ Mounting Kit:

Optional mounting kit for mounting multiple antennas to a single pole or stand. Order one kit for each antenna. Fits 3.5" or 4" O.D. pole.

800PIPEKIT Multi-Antenna Mounting Kit:

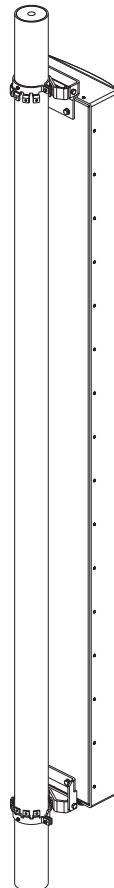
Optional mounting kit for mounting up to three antennas to any pipe measuring from 3.5" to 4" in diameter. Order one kit for each antenna.



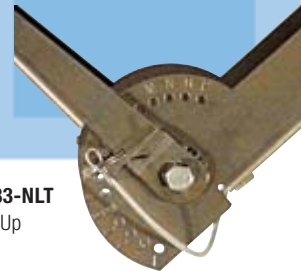
DB5083-NLT



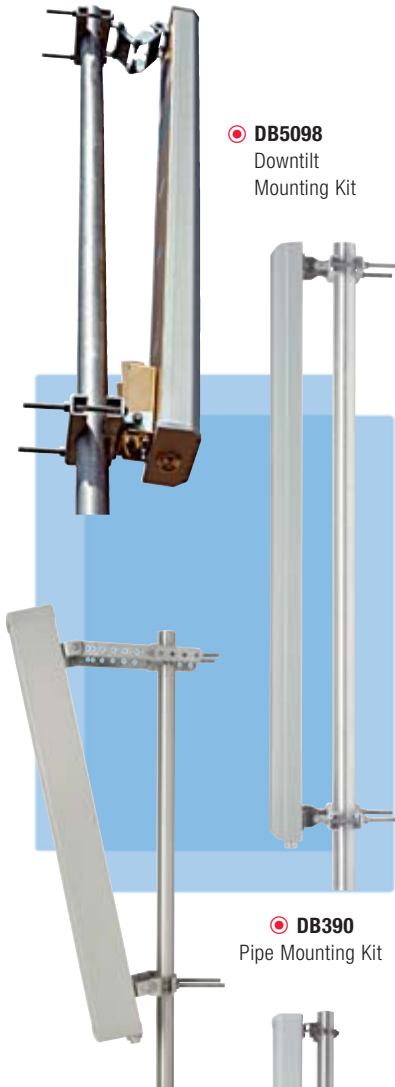
DB5084-AZ
Variable Azimuth
Wall Mounting Kit



800PIPEKIT
for Mounting
Multiple
Antennas



DB5083-NLT
Close-Up



● **DB5098**
Downtilt
Mounting Kit

● **DB390**
Pipe Mounting Kit

DB390 Pipe Mounting Kit:

Standard galvanized steel pipe mount supplied with each antenna, fits pipe sizes 1.25" to 4.25" (31.8 to 108 mm) in diameter. For longer antennas with 3 point brackets, order DB390-3.

DB5094-AZ Variable Azimuth Wall Mounting Kit:

Optional brackets for wall mounting provide azimuth rotation from +45° to -45°, minimizing required clearance from the wall.

DB5098 Downtilt Mounting Kit:

The DB5098 kit includes a galvanized steel downtilt assembly, an aluminum angle indicator assembly, and associated hardware. The aluminum angle indicator assembly has a built-in angle guide to help determine downtilt angles. For special applications requiring more downtilt, order DB5099. For antennas with 3 point brackets, order DB5098-3.

600691A-2 Downtilt Mounting Kit:

Downtilt mounting kit for UMWD 65°/90°, PCS, and UMW series antennas. Designed to fit 1.7" (42mm) to 4.5" (114mm) O.D. pipe.

D000-0004-0000 Downtilt Mounting Kit:

Downtilt mounting kit is suitable for mounting D210 series antennas onto a 1.8" (48mm) to 6.1" (155mm) O.D. pipe.

602030A High Environment Mounting Kit:

Downtilt mounting kit for PCS, UMW, and UMWD 65°/90° series antennas. Designed to fit 2" (42mm) to 4.5" (114mm) O.D. pipe.

601860A Optional Fixed Mounting Kit:

Fixed mounting kit for PCS, UMW, and UMWD 65°/90° series antennas. Designed to fit 1.7" (42mm) to 4.5" (114mm) O.D. pipe.

1800TREEKIT Mounting Kit:

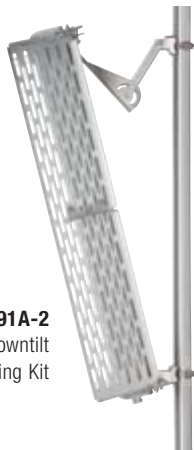
Optional mounting kit mounts multiple antennas to a single pole or stand. Order one kit for each antenna. Fits 2.5" or 3" O.D. pole.

● **D000-0004-0000**
Downtilt
Mounting Kit

● **601860A**
Optional Fixed
Mounting Kit



● **600691A-2**
Downtilt
Mounting Kit



● **602030A**
High Environment
Mounting Kit



● **DB5094-AZ**
Variable Azimuth Wall Mounting Kit

The dB TripleTree™ antenna systems are designed to be an inconspicuous addition to the natural environment. These environmentally sound features combine to create an antenna system that will meet or exceed municipality standards. If downtilting is desired, choose one of the DECIBEL® variable electrical downtilt models or mechanical downtilt brackets with easy-to-read angle indicators.

dB TripleTree™ for 800 MHz

- Telescoping mast provides maximum flexibility in cell site selection and construction
- Reduces the number of antennas, cables, connectors, construction time, and site rental
- Solves site acquisition problems with a single mast of antennas
- The hoisting eyebolt can be replaced with a hex bolt or brass 8" (203mm) lightning spike (included) for added visual appeal
- Only 20" (508 mm) in diameter

dB TripleTree™ for 1800 MHz

- Telescoping mast provides maximum flexibility in cell site selection and construction
- Reduces the number of antennas, cables, connectors, construction time, and site rental
- Solves site acquisition problems with a single mast of antennas
- The hoisting eyebolt can be replaced with a hex bolt or brass 8" (203mm) lightning spike (included) for added visual appeal
- Only 10" (254 mm) in diameter

• dB TripleTree™ antenna system with (3) 854DGVTESX antennas



• dB TripleTree™ antenna system with (3) 932DG65VTE-M antennas



For 800 MHz

ANTENNA FAMILY	DB854	DB856	DB858
Universal Tree Stand	DB800TREE	DB800TREE	DB800TREE
Mounting Hardware	800TREEKIT	800TREEKIT	800TREEKIT
Height			
Fully Retracted	75.3" (1,913 mm)	75.3" (1,913 mm)	75.3" (1,913 mm)
Fully Extended	135" (3,429 mm)	135" (3,429 mm)	135" (3,429 mm)
Diameter (stand only)			
Top	3.5" (88.9 mm)	3.5" (88.9 mm)	3.5" (88.9 mm)
Bottom	4" (101.6 mm)	4" (101.6 mm)	4" (101.6 mm)
Diameter (w/antennas only)	18.38" (467 mm)	18.38" (467 mm)	18.38" (467 mm)
Weight (stand only)	132 lbs. (59.8 kg)	132 lbs. (59.8 kg)	132 lbs. (59.8 kg)
Wind Load (w/radome + 1/2" ice)			
Fully Retracted	544 lbf (2,420 N) (@ 125 mph)	544 lbf (2,420 N) (@ 125 mph)	544 lbf (2,420 N) (@ 125 mph)
Fully Extended	400 lbf (1,779 N) (@ 80 mph)	400 lbf (1,779 N) (@ 80 mph)	400 lbf (1,779 N) (@ 80 mph)
Max. Wind Speed (w/radome + 1/2" ice)			
Fully Retracted	125 mph (201 km/h)	125 mph (201 km/h)	125 mph (201 km/h)
Fully Extended	80 mph (128 km/h)	80 mph (128 km/h)	80 mph (128 km/h)

Notes:

The telescoping stand adjusts in increments of 6".

Kits may be ordered separately and delivered with instructions for field assembly, or you may request factory assembly of the antennas to the stand by ordering TREEINSTALL.

For extended DB1800TREE applications requiring high wind rating, order DB1800HDTREE. This stand is a fixed dual stack, non-adjustable mast rated at 100 mph (160 km/h).

Antenna Mounts



DECIBEL® TripleTree™ Mechanical Specifications

Hardware & Accessories

For 1800 MHz

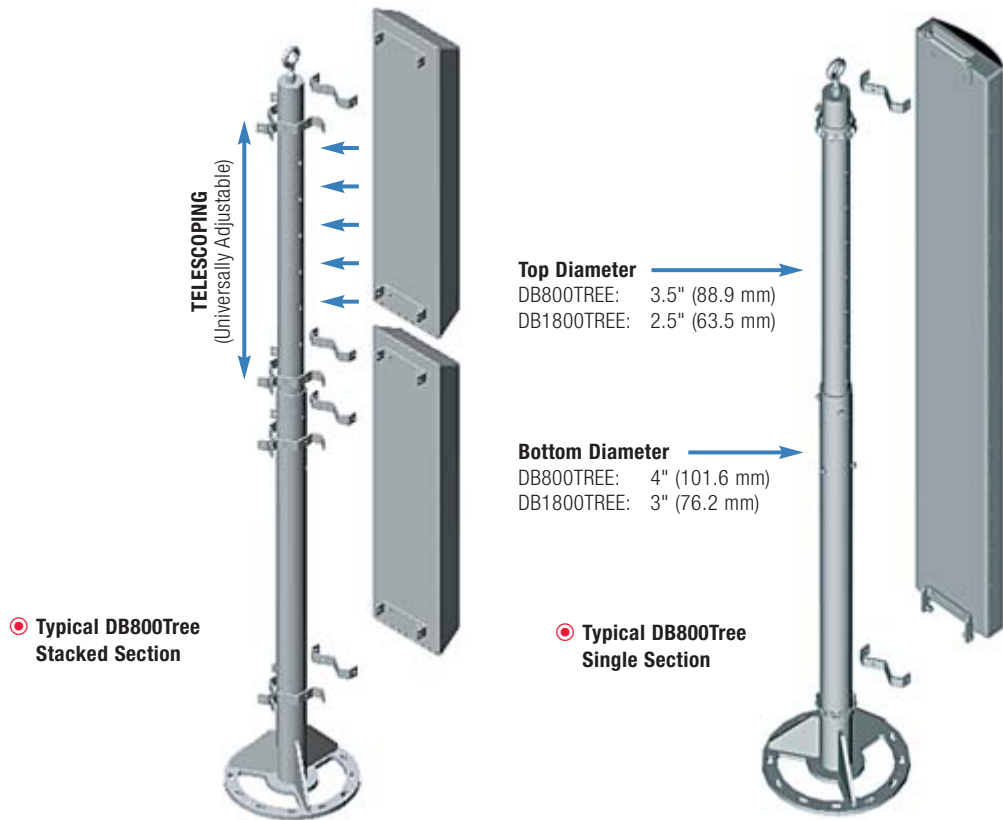
ANTENNA FAMILY	932QDG65	932QDG90	DB931DG90 DB932DG90	DB931DG65 DB932DG65
Universal Tree Stand	DB800TREE	DB800TREE	DB1800TREE	DB1800TREE
Mounting Hardware	800TREEKIT	800TREEKIT	1800TREEKIT	1800TREEKIT
Height				
Fully Retracted	75.3" (1,913 mm)	75.3" (1,913 mm)	87" (2,210 mm)	87" (2,210 mm)
Fully Extended	135" (3,429 mm)	135" (3,429 mm)	159.5" (4,051 mm)	159.5" (4,051 mm)
Diameter (stand only)				
Top	3.5" (88.9 mm)	3.5" (88.9 mm)	2.5" (63.5 mm)	2.5" (63.5 mm)
Bottom	4" (101.6 mm)	4" (101.6 mm)	3" (76.2 mm)	3" (76.2 mm)
Diameter (w/antennas only)	18.12" (460 mm)	18.38" (467 mm)	10.75" (273 mm)	10.75" (273 mm)
Weight (stand only)	132 lbs. (59.8 kg)	132 lbs. (59.8 kg)	111 lbs. (50.3 kg)	111 lbs. (50.3 kg)
Wind Load				
Fully Retracted	544 lbf (2420 N) (@ 125 mph)	544 lbf (2420 N) (@ 125 mph)	303 lbf (1348 N) (@ 117 mph)	303 lbf (1348 N) (@ 117 mph)
Fully Extended	400 lbf (1779 N) (@ 80 mph)	400 lbf (1779 N) (@ 80 mph)	199 lbf (884 N) (@ 70 mph)	199 lbf (884 N) (@ 70 mph)
Max. Wind Speed				
Fully Retracted	125 mph (201 km/h)	125 mph (201 km/h)	117 mph (188 km/h)	117 mph (188 km/h)
Fully Extended	80 mph (128 km/h)	80 mph (128 km/h)	70 mph (112 km/h)	70 mph (112 km/h)

Notes:

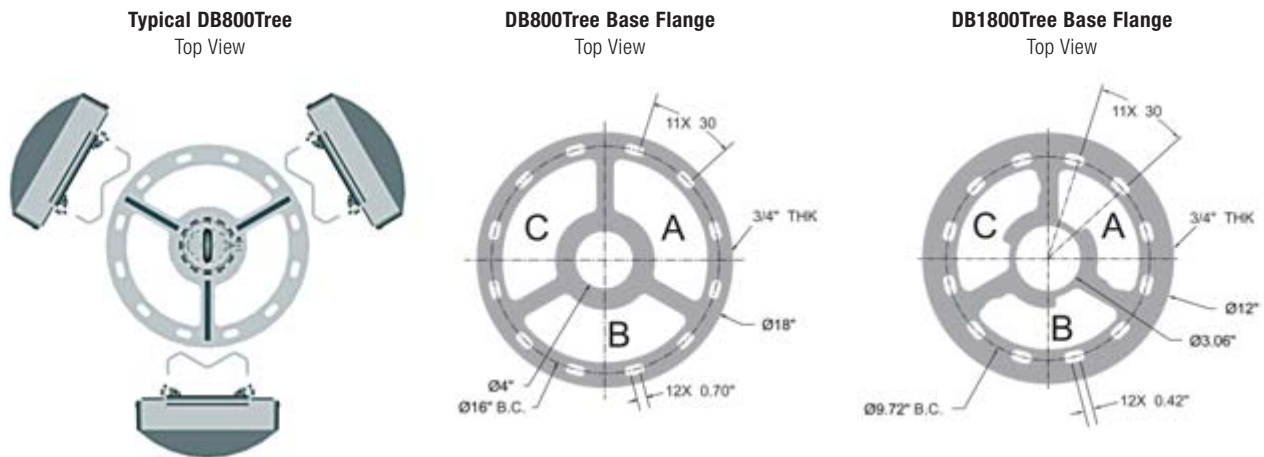
The telescoping stand adjusts in increments of 6".

Kits may be ordered separately and delivered with instructions for field assembly, or you may request factory assembly of the antennas to the stand by ordering TREEINSTALL.

For extended DB1800TREE applications requiring high wind rating, order DB1800HDTREE. This stand is a fixed dual stack, non-adjustable mast rated at 100 mph (160 km/h).



Base Flange Dimensions



Antenna Mounts



DECIBEL® TripleTree™ Configuration Worksheet

Hardware & Accessories

COMPANY: _____ **DATE:** _____

CONTACT: _____

PHONE: _____ **FAX:** _____

E-MAIL: _____

Please complete the Configuration Worksheet and fax it to Andrew's Customer Support Representatives at (214) 631-4706 or (800) 229-4706. You will receive a written quotation containing pricing and lead time. If you have any questions about this process, please contact Customer Support at (214) 631-0310 or (800) 676-5342.

Andrew's dB TripleTree™ stands are ideal for mounting configurations of one-to-two sets of vertically mounted antennas.

If you prefer Andrew to provide all required jumpers, please fill out the following diagram.

STAND: DB800TREE DB1800TREE

ANTENNA MODELS AND POSITION:

Lower Models:

Sector A	
Sector B	
Sector C	

Upper Models, if stacked:

Sector A	
Sector B	
Sector C	

A = _____"

HARDWARE KITS:

800TREEKIT (1 per antenna)
Optional Downtilt: DB5083

1800TREEKIT (1 per antenna)
Optional Downtilt: DB5098

QTY

OPTIONAL EXTERIOR RADOMES:

800RADOME06 (Fully Retracted)

800RADOME11 (Fully Extended)

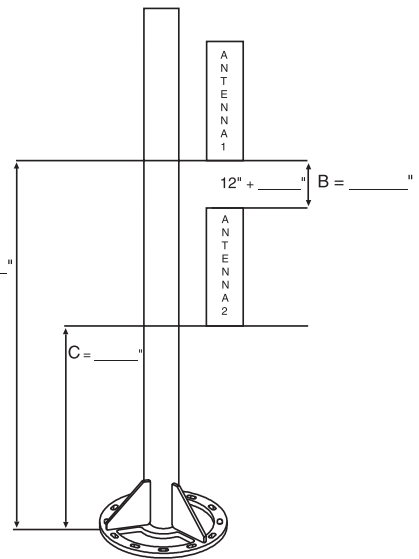
1800RADOME07 (Fully Retracted)

1800RADOME13 (Fully Extended)

QTY

ASSEMBLY:

Field Factory: TREEINSTALL



Notes:

1. These stands and brackets are designed for Andrew antennas.
2. The stacked 800TREE's require two additional mast collars, part number 081696-001 and one spacer, part number 081923-001.
3. Jumpers are standard 1/2" foam, DIN Male-to-DIN Male. Customers to specify jumper length beyond base flange.
4. Contact Andrew for other configurations.

